

R TBSM C

REGENCY Tap Range Regency Bath Shower Mixer With Tall Pillars Chrome



Features:

- Includes 1.5m hose, handset and wall bracket
- Wall bracket and single function handset
- Chrome plated to BS EN 248

Product Certifications:



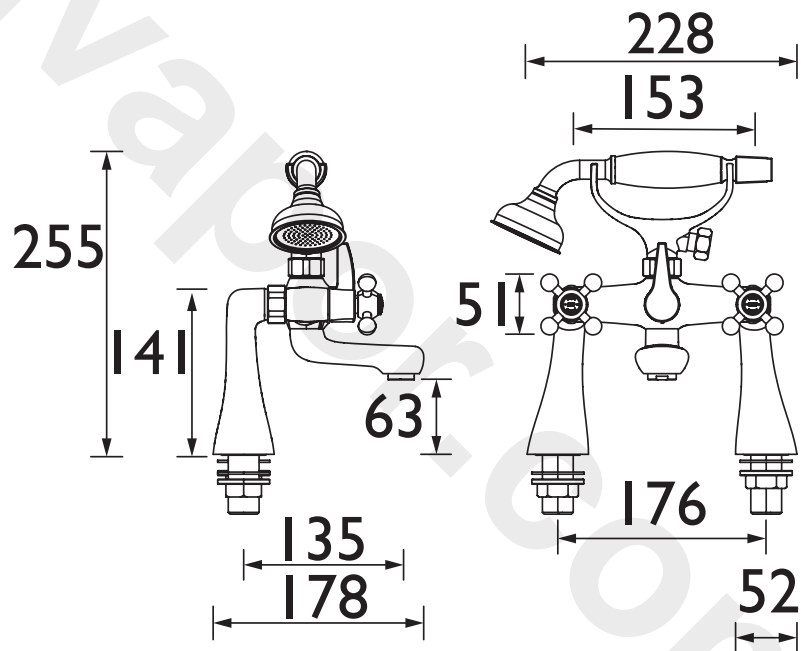
For more products, visit our website:
<http://www.bristan.com>



Specification

Product Type:	Taps
Main Construction Material:	Brass
Mount Type:	Deck
Handle Type:	Crosshead
Connection Inlet:	3/4" BSP
Connection Outlet:	M24 Anti-splash
Number of Tap Holes:	2
Valve/Cartridge Type:	1/2" Compression Valve
Plumbing System Requirements:	Suitable for all plumbing systems
Minimum Dynamic Pressure (bar):	0.2 bar
Maximum Dynamic Pressure (bar):	5.0 bar
Maximum Hot Water Temperature °C:	65°C
Maximum Static Pressure (bar):	10 bar
Flow Type:	Single
Isolation Included:	No

Dimensions (measurements in mm)



Flow Rates (l/min)

System Pressure (bar)	0.2	0.5	1	2	3	5
Through Bath Filler (mixed)	22.5	35.6	50.3	71.1	87.1	112.4
Through Handset (mixed)	4.5	7.2	10.2	14.4	17.6	22.7

TECHNICAL DATA SHEET



BRISTAN

D9